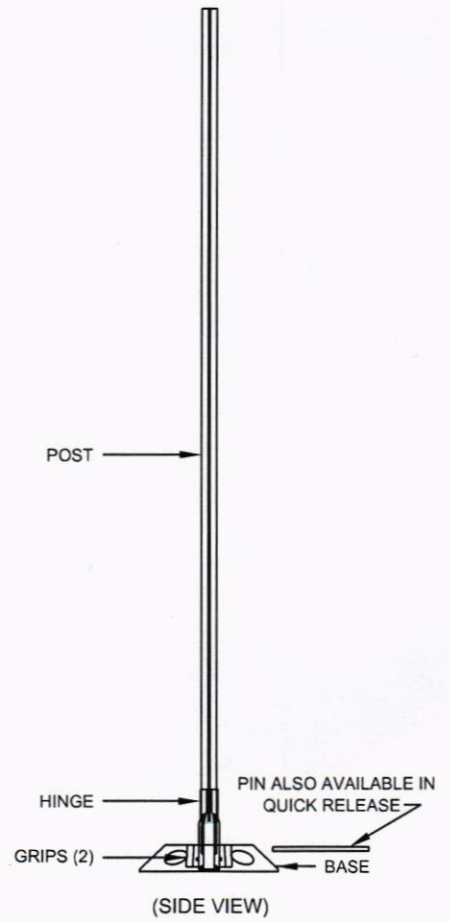
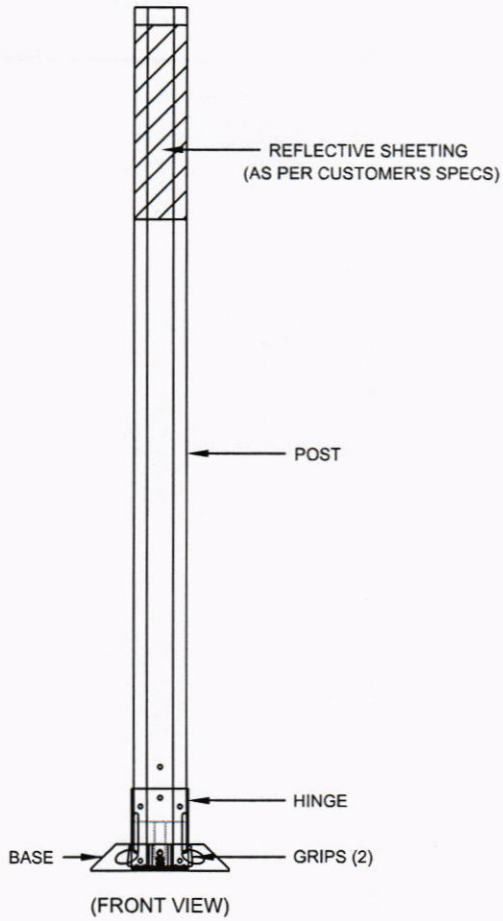
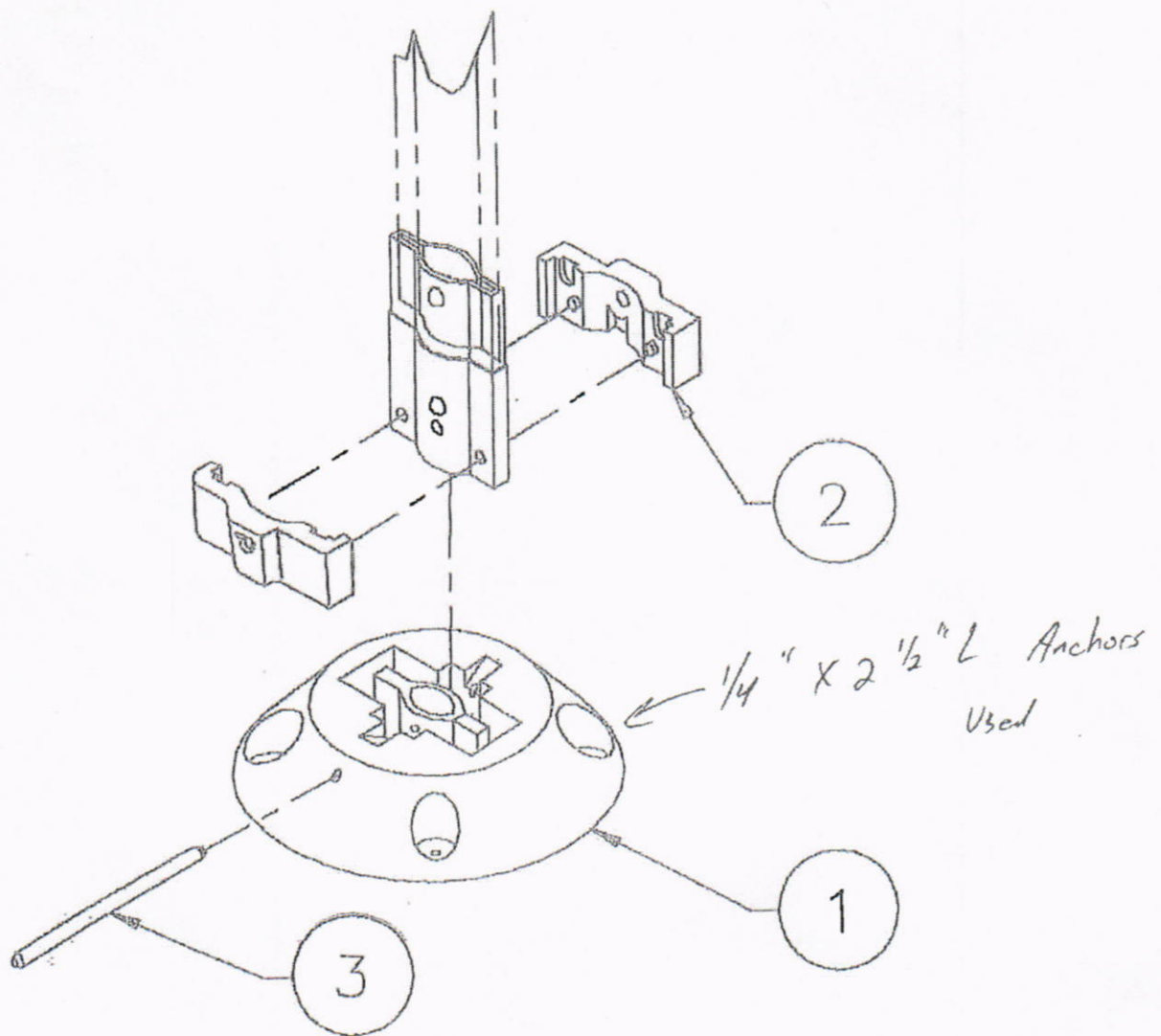


VGLT SERIES



VGLT SERIES



Item No.	Product Description
_____	Surface Mount Base Assembly
1	Base: 8" Diameter X 1-1/2"
2	Grips (Pair) 3-7/8" X 1-5/8"
3	Pin: 5-1/2" X 5/16"